

Dream Maker

8KW-25A/10KW-25A Inverter



Residential | Three-Phase | HV Battery | 2 MPPTs

98.2%
Max. Efficiency

15A
PV Input Current

10ms
UPS-level Switching

110%
Unbalanced Load



Talented
98.2% max. efficiency
135-750V super wide battery voltage range
Within 10ms UPS-level switching
Max. 15A PV input current



Powerful
Up to 110% unbalanced load
Up to 125% AC output overloading
Max. 200% back-up output overloading @60s
Parallel operation capacity with max. 10 units

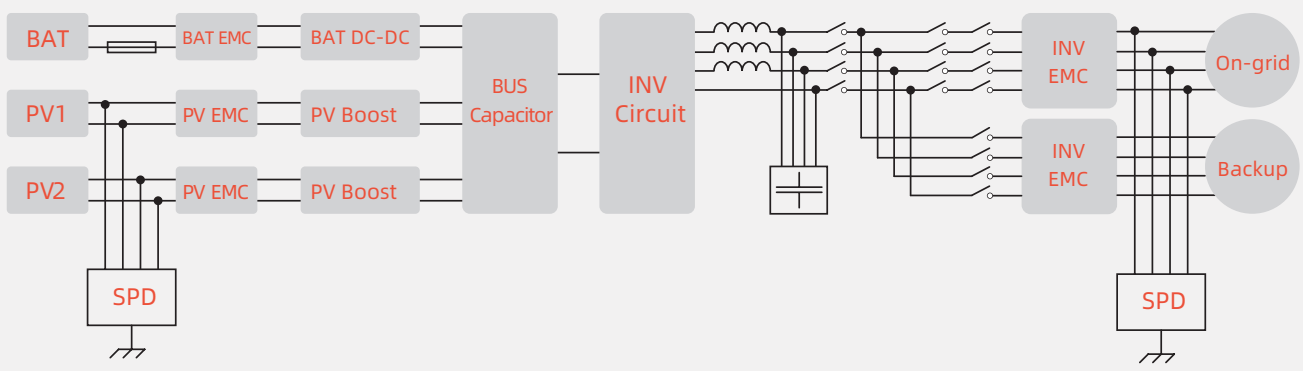


Reliable
IP65 protection
Integrated diecasting technology for body design
Advanced heat dissipation design
Great performance ensured by Dream Maker platform



Friendly
Convenient installation and O&M
Easy data check via both OLED display and App
Easy WIFI configuration via App
Low operating noise

⚡ Circuit Diagram



TECHNICAL PARAMETERS

Type Designation	PCS-3-8KW-25A-1	PCS-3-10KW-25A-1
PV Input		
Max. Input Power (kW)	12kW	15kW
Start-up Voltage (V)	135V	135V
Max. DC Input Voltage (V)*	1000V	1000V
Rated DC Input Voltage (V)	620V	620V
MPPT Voltage Range (V)	200-950V	200-950V
No. of MPP Trackers	2	2
No. of DC Inputs per MPPT	1/1	1/1
Max. Input Current (A)	15A/15A	15A/15A
Max. Short-circuit Current (A)	20A/20A	20A/20A
Battery Side		
Battery Type	Lithium Battery (with BMS)	
Battery Voltage Range (V)	135-750V	
Max. Charge/Discharge Current (A)	25/25A	
Grid Side		
Rated Output Power (kW)	8kW	10kW
Max. Output Apparent Power (kVA)	8.8kVA	11.0 ¹⁾ kVA
Max. Input Apparent Power (kVA)**	16.0kVA	16.5kVA
Max. Charging Power of Battery (kW)	8kW	10kW
Rated AC Voltage (V) 3L/N/PE;	3L/N/PE; 220/380V; 230/400V; 240/415V	
Rated AC Frequency (Hz)	50/60Hz	50/60Hz
Max. Output Current (A)	13.3A	16.5 ²⁾ A
Power Factor	0.8 leading...0.8 lagging	
Max. Total Harmonic Distortion	< 3% @Rated output power	
DCI	< 0.5%ln	< 0.5%ln
Back-up Side		
Rated Output Power (kW)	8kW	10kW
Max. Output Apparent Power (kVA)	8.8kVA	11.0kVA
Max. Output Current (A)	13.3A	16.5A
UPS Switching Time	< 10ms	< 10ms
Rated Output Voltage (V)	3L/N/PE; 220/380V; 230/400V; 240/415V	
Rated Output Frequency (Hz)	50/60Hz	50/60Hz
Voltage Harmonic Distortion	< 3% @linear load	
Efficiency		
Max. Efficiency	98.2%	98.2%
European Efficiency	97.4%	97.4%
Compliance	IEC/EN 62109, IEC/EN 61000, EN50549-1, TOR Generator Type A, VDE-AR-N-4105	

Protection	
DC Reverse Polarity Protection	Integrated
Battery Input Reverse Connection Protection	Integrated
Insulation Resistance Protection	Integrated
Surge Protection	Integrated
Over-temperature Protection	Integrated
Residual Current Protection	Integrated
Islanding Protection	Integrated
AC Over-voltage Protection	Integrated
Overload Protection	Integrated
AC Short-circuit Protection	Integrated

* PV Max. Input voltage is 950V without battery, or 850V with battery, otherwise inverter will be waiting;

** Max apparent power from the grid means the maximum power imported from the utility grid used to satisfy the backup loads and charge the battery

1)G98: 10.5kVA; 2)G98: 16.00A

General Data	
Over Voltage Category	PV: II ; Main: III
Dimensions (W×H×D mm)	534×418×210
Weight (KG)	26.0
Protection Degree	IP65
Standby Self-consumption (W)	<15
Topology	Transformerless
Operating Temperature Range (°C)	-30~60
Relative Humidity (%)	0~100
Operating Altitude (m)	3000 (>3000m derating)
Cooling	Natural Convection
Noise Level (dB)	<25
Display	OLED & LED
Communication	CAN, RS485, WiFi/LAN (Optional)

Dream Maker Technologie GmbH, Zimmerbachstr.37, 74676 Niedernhall

Tel: +49 7940 50967-0

E-mail: info@dm-maker.de

Fax: +49 7940 50967 66

Website: www.dm-maker.de